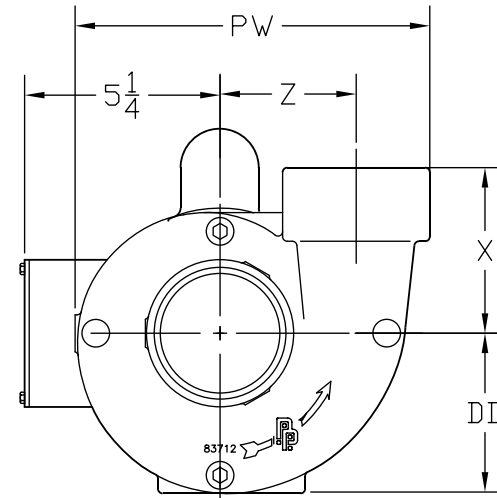
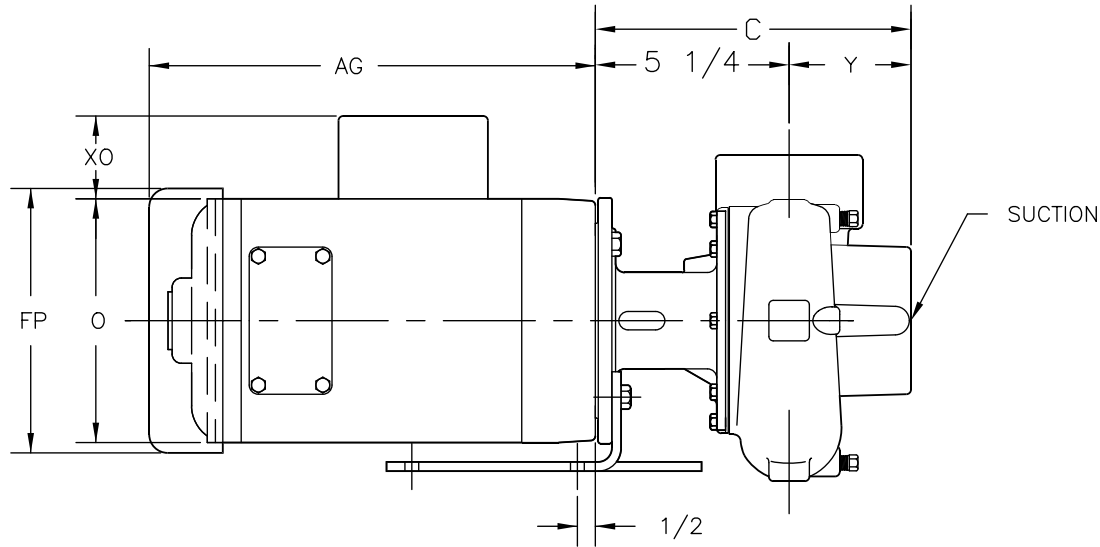


DESCRIPTION
RC200/300SS CLOSE COUPLED MOTOR PUMP ASSEMBLY

REF. NO.
O-RCSSH

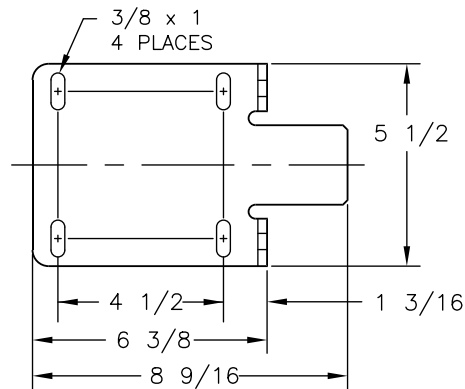
DATE
4/4/06

REV.
A



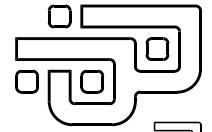
NOTE:
MOTOR DIMENSIONS WILL VARY BY MODEL AND MAKE,
DIMENSIONS ARE TO BE USED FOR REFERENCE ONLY.

MOTOR END DIMENSIONS						
HP	RPM	FRM	AG	FP	O	XO
1/4	1800	56C	7 3/4	6 1/8	5 3/8	2 1/16
1/3	1800	56C	8 1/4	6 1/8	5 3/8	2 1/16
1/2	1800	56C	8 3/4	6 1/8	5 3/8	2 1/16
1/3	3600	56C	8 1/2	6 1/8	5 3/8	2 1/16
1/2	3600	56C	8 3/4	6 1/8	5 3/8	2 1/16
3/4	3600	56C	9 1/4	6 1/8	5 3/8	2 1/16
1	3600	56C	9 3/4	6 1/8	5 3/8	2 1/16
1 1/2	3600	56C	10 1/2	7 3/16	6 7/8	2 1/4
2	3600	56C	11 1/8	7 3/16	6 7/8	2 1/4
3	3600	56C	12 3/8	7 3/16	6 7/8	2 1/4



- NOTE:**
- MOTOR DIMENSIONS WILL VARY BY MODEL AND MAKE, DIMENSIONS ARE TO BE USED FOR REFERENCE ONLY.
 - FOR ENGINEERING PURPOSES, PUMP RC300 HAS BEEN USED TO CREATE DRAWING.
 - ALL DIMENSIONS HAVE BEEN ROUNDED TO THE NEAREST 1/8 INCH

	PUMP END DIMENSIONS							
	C	Y	PW	Z	X	DD	SUCTION	DISCHARGE
RC200	8 1/8	2 7/8	7 1/8	2 1/2	3 3/4	3 1/2	2" NPT	2" NPT
RC300	8 9/16	3 5/16	9 5/8	3 11/16	4 1/2	4 3/8	3" NPT	3" NPT



PRICE PUMP CO.

FACTORY FAX TRANSMITTAL DRAWING

21775 Eighth Street East
Sonoma, CA 95476 (707) 938-8441
707-FAX 938-0764